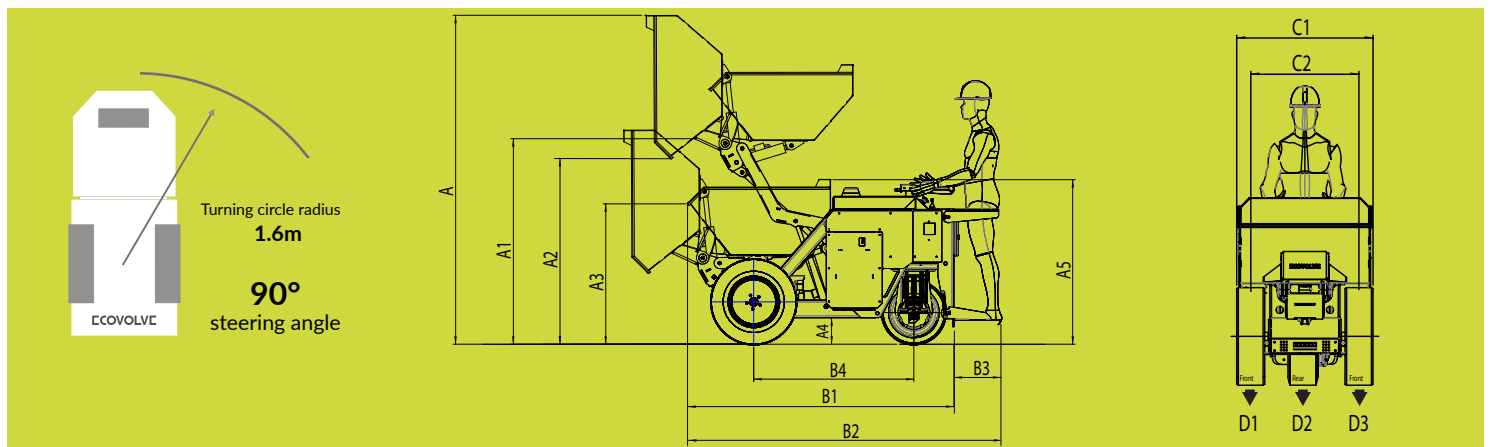




		ED800	ED1000	ED1500
Capacity	Max safe load (Kg)	800	1000	1500
	Unladen weight (Kg)	1200	1300	1500
	Skip - Levelled (Ltr)	350	435	575
	- Heaped (Ltr)	480	600	800
	- Water level (Ltr)	225	315	460
Drive	Drive type	1 wheel drive	1 wheel drive	3 wheel drive
	Steering	1 wheel steer	1 wheel steer	1 wheel steer
	Speed (Km/h)	0-6	0-8	0-8
	Steering angle	90°	90°	90°
	Grade ability	15°	15°	15°
Transmission	Proportional Steering	Drive	Drive	Drive
	Tires - Front (2no. Super elastic)	27x8,5x15	27x8,5x15	27x8,5x15
	- Rear (1no. Super elastic)	21x8x9	21x8x9	21x8x9
	Brakes		Dynamic electric brake Negative parking brake	
Hydraulic system	Gear pump - Flow rate (Ltr/Min)	5.5	6.5	6.5
	- Oper. pressure (Bar)	130	130	150
	Pump motor (KW)	2.2	2.2	2.2
	Hydraulic tank capacity (Ltr)	2.8	2.8	5
Electric system	Voltage (V)	24	24	24
	Battery (Ah)	400	400	600
	Integrated Charging - Input (V AC)	100-240	100-240	100-240
	- Output (V DC)	24	24	24
	Recharge (Hrs)	8	8	10
Drive motor	Type		Induction motor	
	Output	5KW/7HP	5KW/7HP	8KW/11HP
	Emission	Zero	Zero	Zero
Noise	Driving (Db)	65	65	65
	Buzzer [adjustable] (Db)	60-80	60-80	60-80



[mm]													Unladen		Laden	
	A	A1	A2	A3	A4	A5	B1	B2	B3	B4	C1	C2	D1/D3	D2	D1/D3	D2
ED800	2610	1630	1470	1120	210	1310	2065	2388	330	1270	813	584	280 kg	680 kg	650 kg	700 kg
ED1000	2610	1630	1470	1120	210	1310	2200	2565	330	1270	965	762	310 kg	680 kg	785 kg	730 kg
ED1500	2900	1800	1600	1150	210	1340	2245	2575	330	1326	1173	975	375 kg	750 kg	1125 kg	750 kg